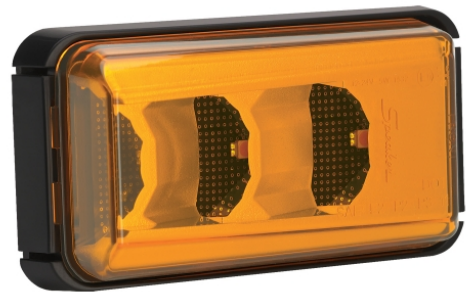


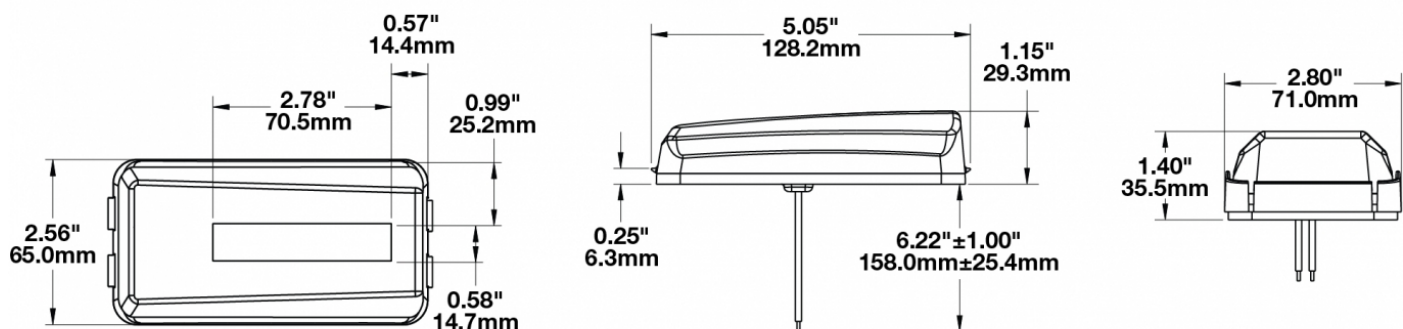
# LED Side Turn Signal & Marker Lights - Model 157

## PRODUCT INFORMATION

<b>Description</b>	12-24V ECE/SAE LED Amber Side Turn Signal with Mount
<b>Height</b>	128.27 mm / 5.05 in
<b>Width</b>	71.12 mm / 2.8 in
<b>Depth</b>	35.56 mm / 1.4 in
<b>Shape</b>	Rectangular
<b>Outer Lens Material</b>	Acrylic
<b>Outer Lens Color</b>	Amber
<b>Housing Material</b>	ABS
<b>Housing Color</b>	Black
<b>Mounting Type</b>	Low Profile Mount
<b>Minimum Operating Temperature</b>	-40 °C / -40 °F
<b>Maximum Operating Temperature</b>	65 °C / 149 °F
<b>Product Weight</b>	0.44 lbs / 0.2 kgs
<b>Shipping Weight</b>	0.86 lbs / 0.39 kgs



## PRODUCT DIMENSIONS



Print date: 2024-08-11

© 2024 J.W. Speaker Corporation • Germantown, WI U.S.A.  
 www.jwspeaker.com • speaker@jwspeaker.com • 262.251.6660

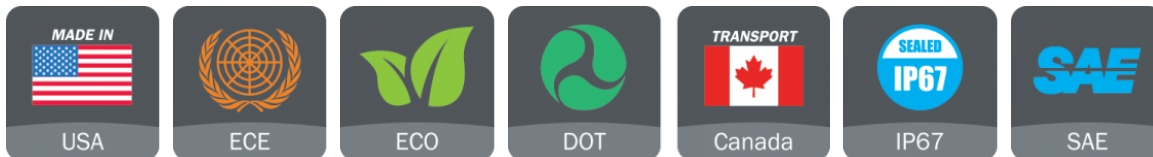
**J.W. SPEAKER**  
 Engineered. Lighting. Solutions.

# LED Side Turn Signal & Marker Lights - Model 157

## ELECTRICAL SPECIFICATIONS

<b>Input Voltage</b>	12-24V DC
<b>Red Wire</b>	Power
<b>Black Wire</b>	Ground
<b>Current Draw</b>	0.41A @ 12V DC 0.2A @ 24V DC

## REGULATORY STANDARDS COMPLIANCE



Buy America Standards	ECE Reg 6
Eco Friendly	FMVSS 108 s7.4 (Table X)
IEC IP67	SAE J2042
SAE J592	SAE J914

## PHOTOMETRIC SPECIFICATIONS

<b>Beam Pattern(s)</b>	Signalization - Turn (Front) Signalization - Turn (Rear)
------------------------	---

## APPLICATIONS



Print date: 2024-08-11

© 2024 J.W. Speaker Corporation • Germantown, WI U.S.A.  
www.jwspeaker.com • speaker@jwspeaker.com • 262.251.6660

**J.W. SPEAKER**  
Engineered. Lighting. Solutions.

# LED Side Turn Signal & Marker Lights - Model 157

## PRODUCT WARNINGS

---

For California residents:

⚠ **WARNING:** Cancer and reproductive harm - [www.P65Warnings.ca.gov](http://www.P65Warnings.ca.gov).

⚠ **AVERTISSEMENT:** Cancer et effet nocif sur la reproduction - [www.P65Warnings.ca.gov](http://www.P65Warnings.ca.gov).

## RELATED PRODUCTS

---



**Part Number**

**0344301**

12-24V ECE/SAE LED  
Clear Side Turn Signal  
with Mount



**Part Number**

**0344461**

12-24V ECE/SAE LED  
Amber Side  
Marker/Side Turn  
Signal